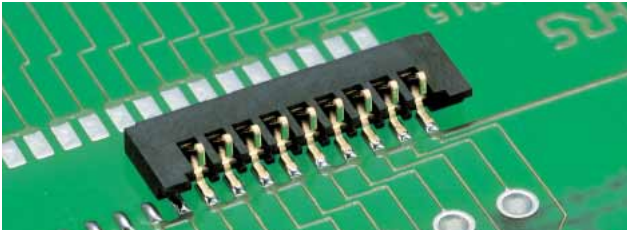
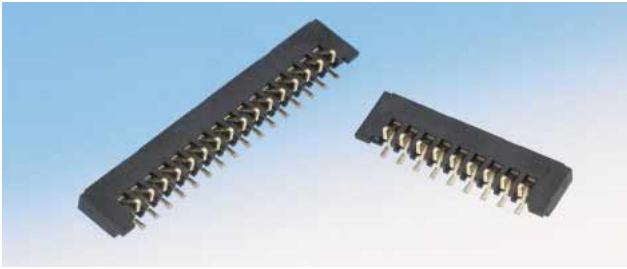
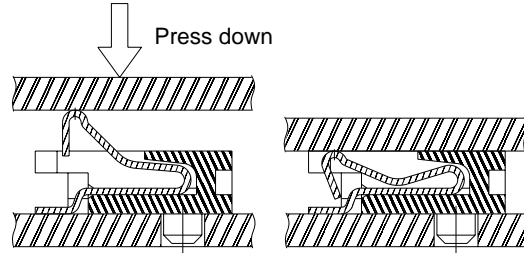


# 1.1mm Pitch Low Profile Compression Connectors

## DF26 Series



Compression Connectors  
-Mating height: 1.2mm and 1.7mm



### Features

#### 1. Low Profile

Connectors are available in heights : 1.2mm and 1.7mm.

#### 2. Miniature, Space-Saving Design

The space-saving design of these connectors permits increase in the mounting density as compared to equivalent products.

#### 3. One-Piece Connector

These connectors support cost reduction requirement since there is no need for a mating half connector. This design also permits a reduction in the number of assembly steps.

#### 4. Variations

Mating Height	Number of Contacts		
	9 Contacts	16 Contacts	18 Contacts
1.2mm	✓	✓	Under development
1.7mm	✓		

### Applications

LCD, cellular phones, notebook computers, miniature office automation equipment, and miniature consumer products.

Product	Item	Before Contact	Contacting (Effective Mating Height)	
			1.55mm	1.2mm
1.2mm				
1.7mm				

## Product Specifications

Rating	Current rating Voltage rating	0.5 A 50 V AC	Operation Temperature Operation Humidity	-35°C to 85°C (Note 1) 20% to 80%	Storage Temperature Storage Humidity	-10°C to 60°C (Note 2) 40% to 70% (Note 2)
--------	----------------------------------	------------------	---	--------------------------------------	---	---

Item	Specification	Conditions
1. Insulation resistance	500 M ohms min.	100 V DC
2. Withstanding voltage	No flashover or insulation breakdown	150 V AC / one minute
3. Contact resistance	50 m ohms max.	100 mA
4. Vibration	No electrical discontinuity of 1μs or more	Frequency: 10 to 55 Hz, single amplitude of 0.75 mm, 2 hours in each of the 3 directions
5. Humidity	Below the contact resistance standard value. Insulation resistance: 500 M min.	96 hours at temperature of 40 ±2°C and humidity of 90% to 95%
6. Temperature cycle	Below the contact resistance standard value. Insulation resistance: 500 M ohms min.	Temperature: -55°C → +5°C to +35°C → +85°C → +5°C to +35°C Time sequence: 30 → 10 → 30 → 10 (Minutes) 5 cycles
7. Stroke life	Below contact resistance standard value	50 stroke cycles
8. Resistance to soldering heat	No deformation of the insulator parts affecting performance.	Reflow soldering: At recommended temperature profile Manual soldering: Soldering iron temperature 300°C, 3 seconds

Note 1: Includes temperature rise caused by current flow.

Note 2: The term "storage" refers to connectors stored for long period of time prior to mounting and use. Operating Temperature Range and Humidity range covers non-conducting condition of installed connectors in storage, shipment or during transportation.

## Materials

Item	Part	Material	Finish	Remarks
Compression	Insulator	LCP	Color: Black	UL94V-0
	Contacts	Phosphor bronze	Gold plating	—

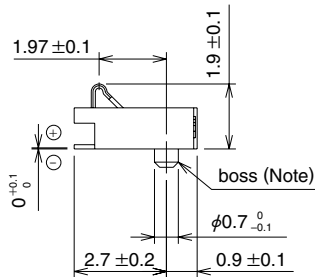
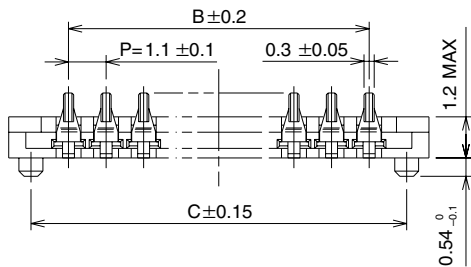
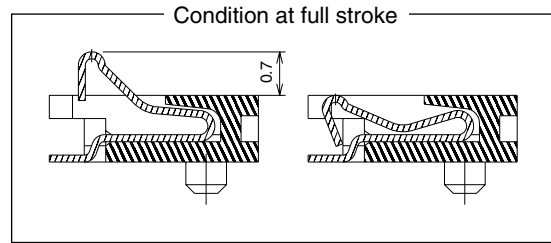
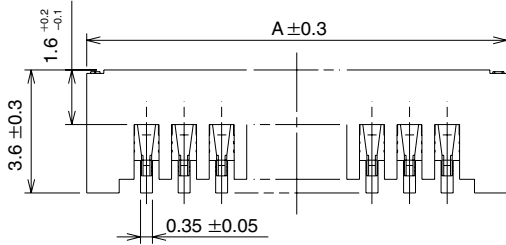
## Ordering Information

**DF26 # 1.2 - \* CP - 1.1 V ( \* \* )**

①    ②    ③    ④    ⑤    ⑥    ⑦    ⑧

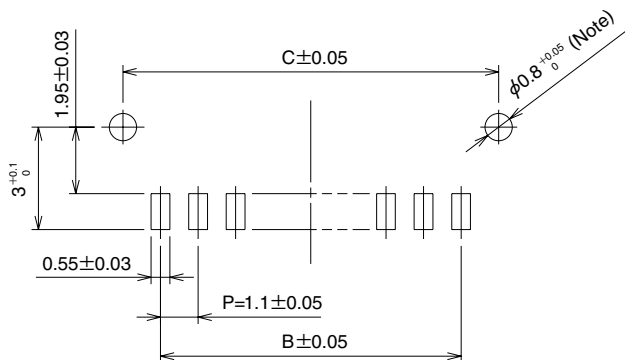
① Series name: DF26	④ Number of contacts: 9, 16	⑧ Packaging (51): Embossed tape packaging (2,000 pieces per reel) 0.1 micron gold plated (66): Embossed tape packaging (2,000 pieces per reel) 0.5 micron gold plated
② Boss type A: With boss	⑤ Connector type CP: Single row compression	
③ Mating height 1.2: 1.2mm 1.7: 1.7mm	⑥ Contact pitch: 1.1mm	
	⑦ Contact type V: Straight SMT	

## Compression Connectors (Straight SMT) for 1.2mm Mating

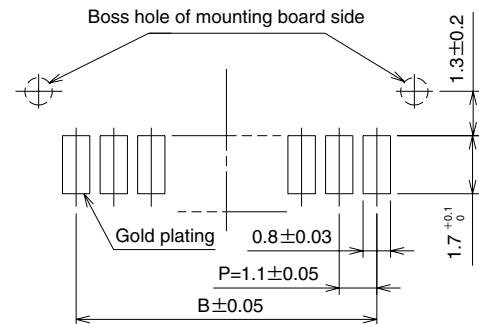


## PCB Mounting Pattern

Connector Mounting Surface Side



Connector Contact Side



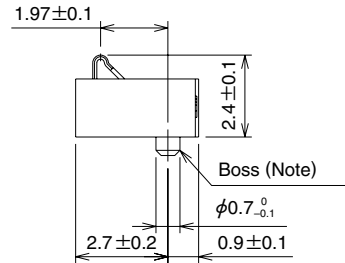
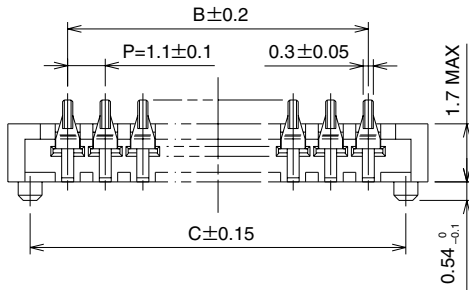
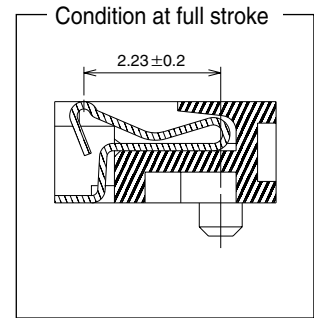
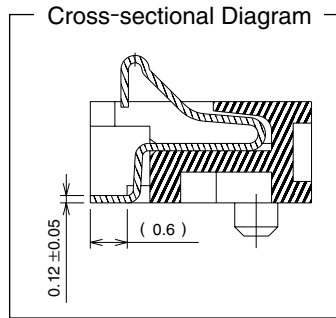
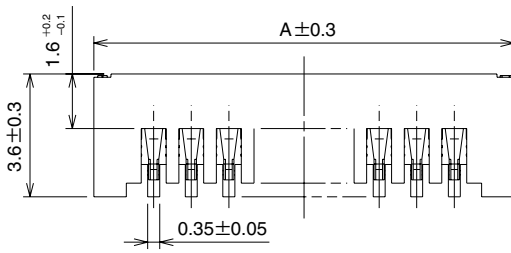
[Specification number] — \*\*, (\*\*)  
 (51): Gold plating, embossed tape packaging (2,000 pieces per reel)

Unit: mm

Product No.	HRS No.	Number of Contacts.	A	B	C	Embossed width	Notes
DF26A1.2- 9CP-1.1V(**)	CL661-0002-5-**	9	12.3	8.8	11.0	24	With boss

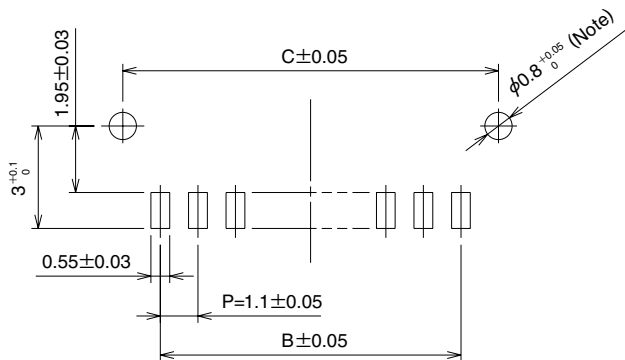
Note: Order by number of reels.

## Compression Connectors (Straight SMT) for 1.7mm Mating

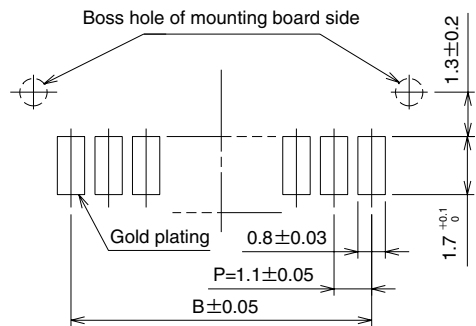


### PCB Mounting Pattern

Connector Mounting Surface Side



Connector Contact Side



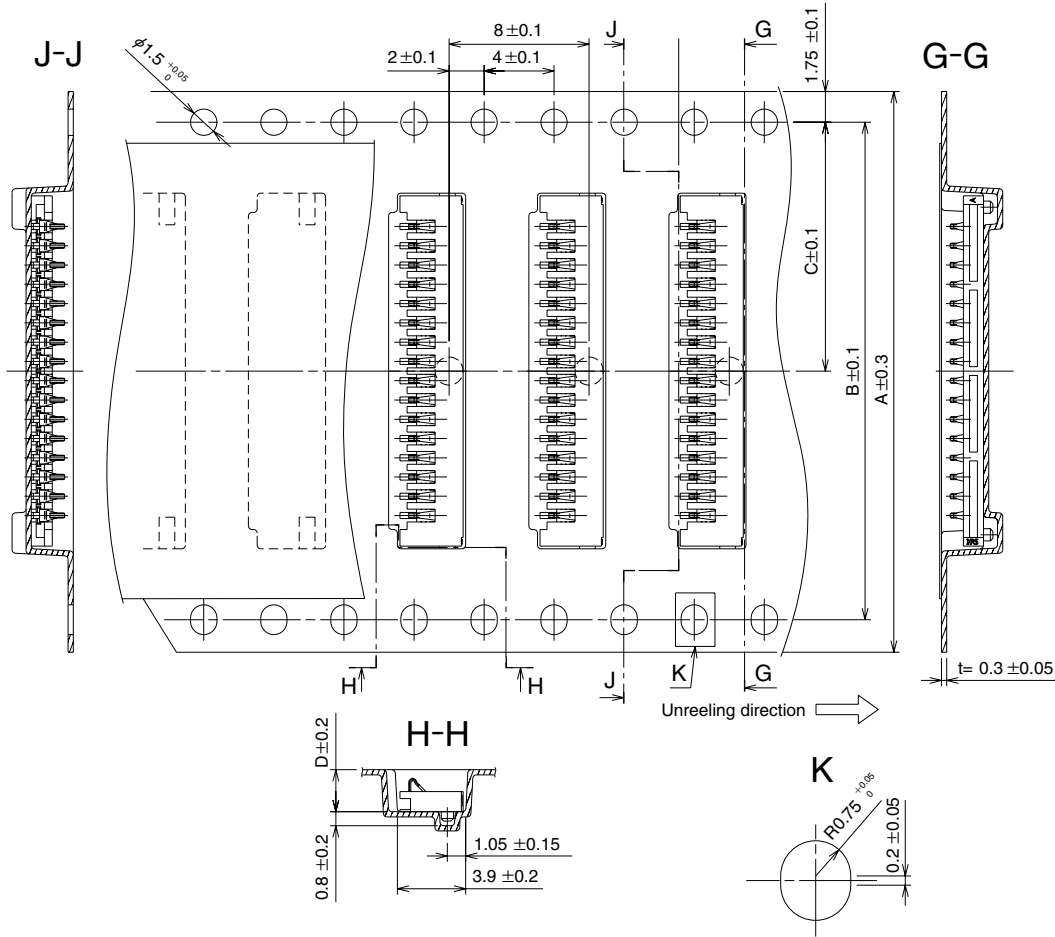
[Specification number] — \*\*, (\*\*)  
 (66): Gold plating, embossed tape packaging (2,000 pieces per reel)

Unit: mm

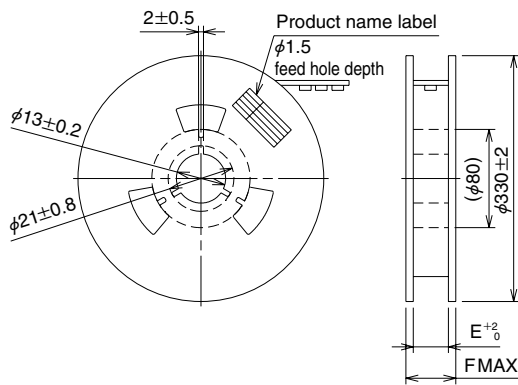
Product No.	HRS No.	Number of Contacts	A	B	C	Embossed width	Notes
DF26A1.7-9CP-1.1V(**)	CL661-0008-1-**(66)	9	12.3	8.8	11.0	24	With boss

Note: Order by number of reels.

◆ Embossed Carrier Tape Dimensions



Reel Dimension



Unit: mm

Product No.	Number of Contacts	A	B	C	D	E	F	Notes
DF26A1.2- 9CP-1.1V	9	24	—	11.5	2.4	24.4	30.4	With boss
DF26A1.7- 9CP-1.1V	9	24	—	11.5	2.9	24.4	30.4	

## ◆ Precautions for Use

<p>1. Recommended Temperature Profile</p>	<p style="text-align: center;">IR Reflow</p> <table border="1" style="margin-left: auto; margin-right: auto;"> <tr> <td>Preheating:</td> <td>150°C</td> <td>30 to 90 seconds</td> </tr> <tr> <td>Soldering:</td> <td>235±5°C</td> <td>10 seconds max</td> </tr> <tr> <td></td> <td>220°C min</td> <td>10 to 30 seconds</td> </tr> </table> <p style="text-align: right;">Maximum 240°C 220°C</p> <p style="text-align: center;">Preheating      Soldering</p> <p style="text-align: center;">Time(Sec.)</p> <p>Note1: Up to 2 cycles of reflow soldering are possible under the same conditions, provided that there is a return to normal temperature between the first and second cycle.</p> <p>Note2: The temperature profile indicates the board surface temperature at the point of contacts with the connector terminals (for surface mounted receptacle).</p>	Preheating:	150°C	30 to 90 seconds	Soldering:	235±5°C	10 seconds max		220°C min	10 to 30 seconds
Preheating:	150°C	30 to 90 seconds								
Soldering:	235±5°C	10 seconds max								
	220°C min	10 to 30 seconds								
<p>2. Recommended manual soldering</p>	<p>Manual soldering: 290±10°C for 3 seconds</p>									
<p>3. Recommended screen thickness</p>	<p>0.15mm</p>									
<p>4. Board warpage</p>	<p>Maximum of 0.03mm at the connector center, with both ends of the connector as reference points.</p>									
<p>5. Cleaning conditions</p>	<p>Refer to "Nylon connector Use Handbook".</p>									
<p>6. Precautions</p>	<ul style="list-style-type: none"> <li>■ Excessive twisting when mating/un-mating may cause damage to the connector.</li> <li>■ The contacts are of an exposed design and touching them with bare hands may cause breakdown of the elements due to contact faults or static electricity.</li> </ul>									

**NOTES :**

A series of horizontal dashed lines for taking notes.

Feb.1.2016 Copyright 2016 HIROSE ELECTRIC CO., LTD. All Rights Reserved.

**USA:**

**HIROSE ELECTRIC (U.S.A.), INC. Headquarters**

2688 Westhills Court, Simi Valley, CA 93065-6235  
 Phone : 1-805-522-7958  
 Fax : 1-805-522-3217  
<http://www.hiroseusa.com>

**USA:**

**HIROSE ELECTRIC (U.S.A.), INC. North California Office**

20400 Stevens Creek Blvd., Ste 250, Cupertino, CA 95014  
 Phone : 1-408-253-9640  
 Fax : 1-408-253-9641  
<http://www.hiroseusa.com>

**USA:**

**HIROSE ELECTRIC (U.S.A.), INC. Dallas Office**

1701 N. Greenville Ave. Ste 817, Richardson, TX 75081  
 Phone : 1-469-330-9200  
 Fax : 1-469-330-9205  
<http://www.hiroseusa.com>

**USA:**

**HIROSE ELECTRIC (U.S.A.), INC. Chicago Office**

2777 Finley Road, Suite 28 Downers Grove, IL 60148  
 Phone : 1-630-916-1455  
 Fax : 1-630-916-1451  
<http://www.hiroseusa.com>

**USA:**

**HIROSE ELECTRIC (U.S.A.), INC. New York Office**

510 Broadhollow Road, Suite 305, Melville, NY 11747  
 Phone : 1-516-249-5259  
<http://www.hiroseusa.com>

**USA:**

**HIROSE ELECTRIC (U.S.A.), INC. Detroit Office (Automotive)**

37650 Professional Center Drive, Suite 120A, Livonia, MI 48154  
 Phone : 1-734-542-9963  
 Fax : 1-734-542-9964  
<http://www.hiroseusa.com>

**GERMANY:**

**HIROSE ELECTRIC GmbH**

Herzog-Carl-Strasse 4 D-73760 Ostfildern (Scharnhäuser Park)  
 Phone : 49-711-4560-02-1  
 Fax : 49-711-4560-02-299  
<http://www.hirose.de>

**THE NETHERLANDS:**

**HIROSE ELECTRIC EUROPE B.V.**

Hogehillweg #8 1101 CC Amsterdam Z-O  
 Phone : 31-20-6557490  
 Fax : 31-20-6557469  
<http://www.hiroseeurope.com>

**FINLAND:**

**Hirose Electric Europe B.V. Finland Office**

Teknobulevardi 3-5 01530 VANTAA  
 Phone : 358-9-2517-8459  
 Fax : 358-9-2517-8460  
<http://www.hiroseeurope.com>

**UNITED KINGDOM:**

**HIROSE ELECTRIC UK LTD.**

First Floor, St Andrews House, Caldecotte Lake Business Park, Milton Keynes MK7 8LE  
 Phone : 44-1908-369060  
 Fax : 44-1908-369078  
<http://www.hirose.co.uk>

**CHINA:**

**HIROSE ELECTRIC CO., LTD. Beijing Office**

Unit 1605, Block A, ZhuBang2000 BusinessCenter, No.100, Balizhuang Xili, Chaoyang District, Beijing, 10025  
 Phone : 86-10-5165-9332  
 Fax : 86-10-8586-1418  
<http://www.hirose-china.com.cn>

**CHINA:**

**HIROSE ELECTRIC (SHANGHAI) CO., LTD.**

1501-02, Cross Tower Building 318 Fuzhou Road, Huang Pu District Shanghai, 200001  
 Phone : 86-21-6391-3355  
 Fax : 86-21-6391-3335  
<http://www.hirose-china.com.cn>

**CHINA:**

**HIROSE ELECTRIC CO., LTD. Shenzhen Office**

Room 1902-05, Office Tower Shun Hing Square, DiWang Commercial Centre 5002 ShenNanDong Road, ShenZhen  
 Phone : 86-755-8207-0851  
 Fax : 86-755-8207-0873  
<http://www.hirose-china.com.cn>

**HONG KONG:**

**HIROSE ELECTRIC CO., LTD.**

Unit 1102, Energy Plaza, 92 Granville Road, Tsim Sha Tsui East, Kowloon  
 Phone : 852-2803-5338  
 Fax : 852-2591-6560  
<http://www.hirose-hongkong.com.hk>

**TAIWAN:**

**HIROSE ELECTRIC TAIWAN CO., LTD.**

No.28 Lane 247 Sec. 2 Yen Ping N,Rd.Taipei  
 Phone : 886-2-2557-7351,7352  
 Fax : 886-2-2552-9851  
<http://www.hirose-taiwan.com.tw>

**SINGAPORE:**

**HIROSE ELECTRIC CO., LTD.**

10 Anson Road #26-16 International Plaza 079903  
 Phone : 65-6324-6113  
 Fax : 65-6324-6123  
<http://www.hirose-singapore.com.sg>

**KOREA:**

**HIROSE KOREA CO., LTD.**

(#2NA311,Shihwa Industrial Complex),1261-10, Jeungwhang-Dong, Shihung-City, Kyunggi-Do 429-450  
 Phone : 82-31-496-7000,7124  
 Fax : 82-31-496-7100  
<http://www.hirose.co.kr>



**HIROSE ELECTRIC CO.,LTD.**

5-23,OSAKI 5-CHOME,SHINAGAWA-KU,TOKYO 141-8587,JAPAN  
 PHONE: 81-3-3491-9741, FAX: 81-3-3493-2933  
<http://www.hirose.com>  
<http://www.hirose-connectors.com>