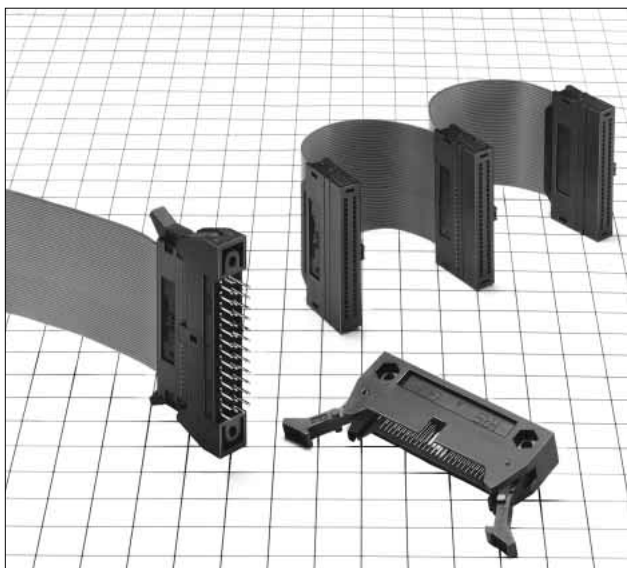


0.635mm Pitch ID Cable Connector

HIF6H Series



■ Features

1. Batch Insulation Displacement of 0.635mm Pitch ID Cable Connector

The 0.635mm pitch cable can be insulated and displaced at a time. HIF6 series is displaced two sheets cable with one sheet cable.

2. Applicable Cable AWG#30

The applicable cable is AWG#30 cable.

3. Achieve Bus-line Connection

This connector allows connection to No. 1 pin. By changing the cover, bus-line connection can be allowed.

4. Compatibility

This connector allows engagement with the HIF6A(B) series header. However, the lock header is used for the HIF6H series only.

Note: HIF6H series should be ordered together with the cable.

■ Applications

Computers, peripheral terminal equipment, various kinds of business machines.

■ Product Specifications

Rating	Current rating : 0.5A	Operating Temperature Range : -55 to +85°C(Note 1)	Storage Temperature Range : -10 to +60°C(Note 2)
	Voltage rating : 125V AC	Operating Moisture Range : 40 to 80%	Storage Humidity Range : 40 to 70%(Note 2)

Item	Specification	Condition
1. Insulation Resistance	1000M ohms min.	250V DC
2. Withstanding voltage	No flashover or insulation breakdown.	300V AC/1 minute
3. Contact Resistance	30m ohms max.	0.1A
4. Vibration	No electrical discontinuity of 1 μ s or more	Frequency: 10 to 55 Hz, single amplitude of 0.75 mm, 2 hours in each of the 3 directions.
5. Humidity (Steady state)	Insulation resistance: 1000M ohms min.	96 hours at temperature of 40°C and humidity of 90% to 95%
6. Temperature Cycle	No damage, cracks, or parts looseness.	(-65°C: 30 minutes -> 15 to 35°C: 5 minutes max. 125°C: 30 minutes-> 15 to 35°C: 5 minutes max.) 5 cycles
7. Durability (Mating/un-mating)	Contact resistance: 30m ohms max.	500 cycles
8. Resistance to Soldering heat	No deformation of components affecting performance.	Solder Bath: 260°C for 10 seconds
		Manual soldering: 360°C for 5 seconds

Note 1: Includes temperature rise caused by current flow.

Note 2: The term "storage" refers to products stored for long period of time prior to mounting and use. Operating Temperature Range and Humidity range covers non conducting condition of installed connectors in storage, shipment or during transportation.

Note 3: Information contained in this catalog represents general requirements for this Series. Contact us for the drawings and specifications for a specific part number shown.

■ Material

Part	Material	Finish	Remarks
Insulator	PBT	Black	UL94V-0
Socket Contact	Copper alloy	Selective gold plated	—
Pin header contact	Brass		

HIF6H Series 0.635mm Pitch ID Cable Connector

■ **Ordering Information**

● **Pin Header**

HIF6H - * P A - 1.27 DSA
 ① ② ③ ④ ⑤ ⑥

①	Series Name	: HIF 6H
②	Number of contacts	: 34, 40, 50, 60, 80, 100
③	P	: Pin header
④	A	: Selective gold plating
⑤	Contact Pitch	: 1.27mm
⑥	Contact style	: DS : Right angle type DSA: Straight type

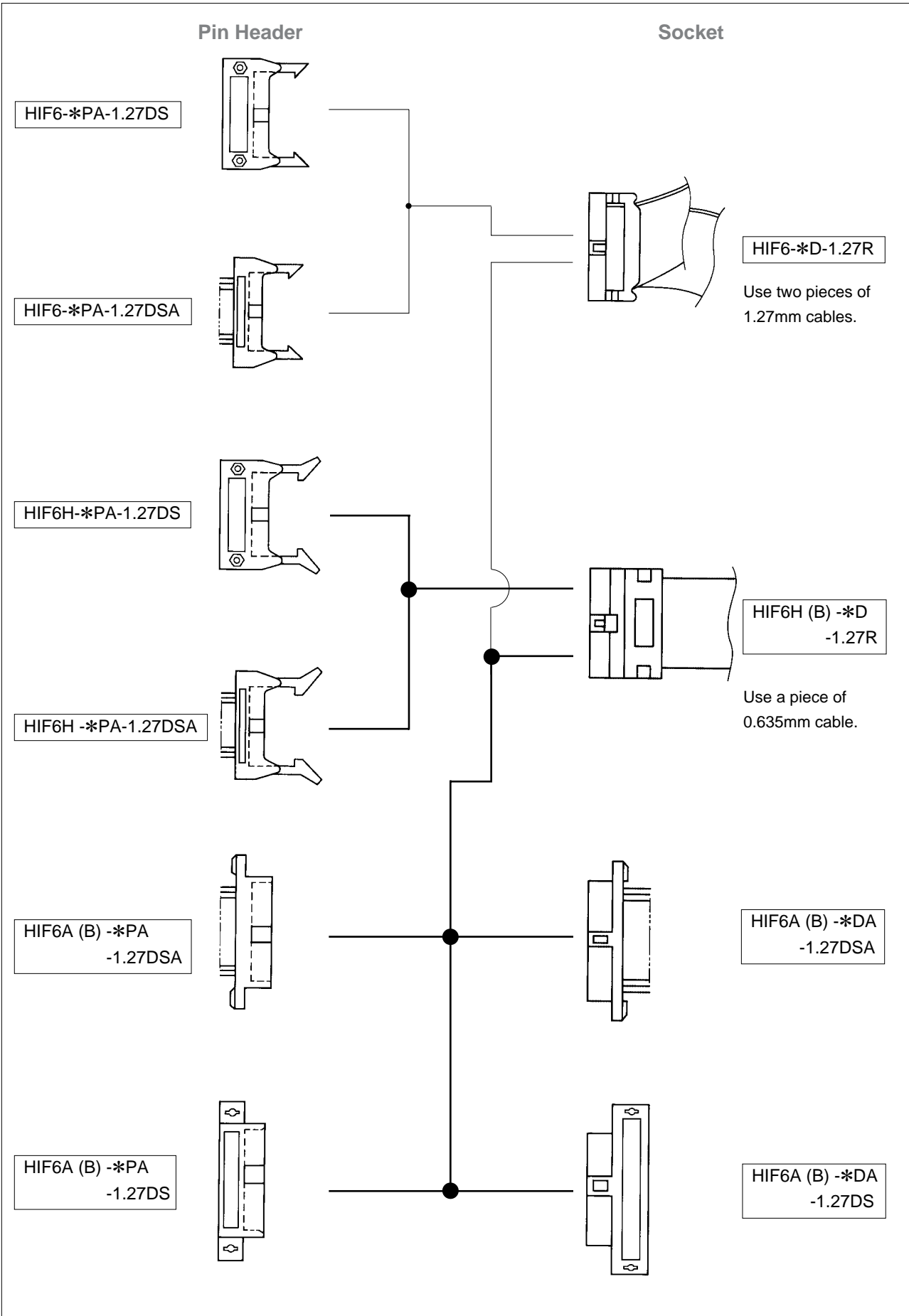
● **Socket**

HIF6H - * D - 1.27 R
 ① ② ③ ④ ⑤

①	Series Name	: HIF6H : Standard type HIF6HB : Bus connection type
②	Number of contacts	: 34, 40, 50, 60, 80, 100
③	D	: Socket
④	Contact Pitch	: 1.27mm
⑤	R	: ID type

* If needed, please order HIF6H series connectors with cable attached.
 Designate the connection circuit and cable length.

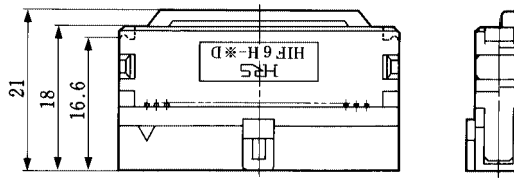
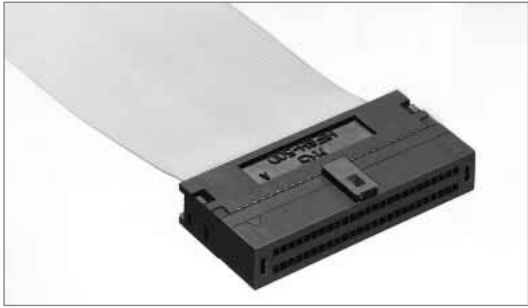
◆Function Block Chart



Mar.1.2016 Copyright 2016 HIROSE ELECTRIC CO., LTD. All Rights Reserved.

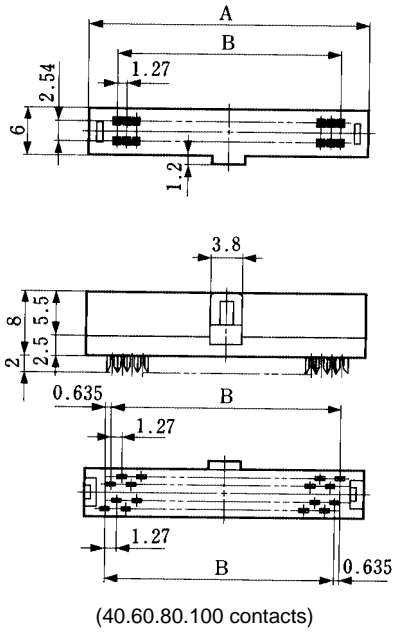
HIF6H Series 0.635mm Pitch ID Cable Connector

■ Socket

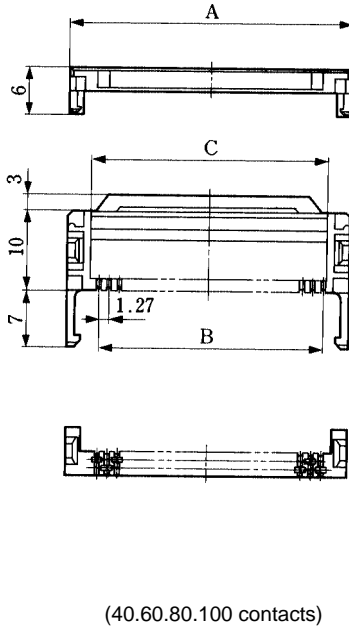


Combination Pattern

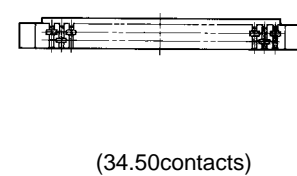
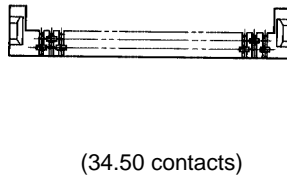
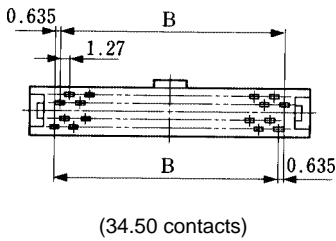
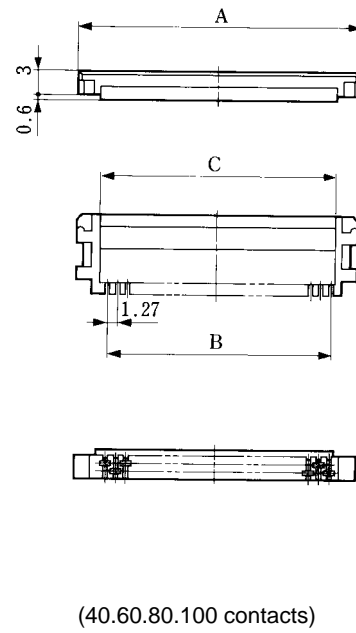
Body



Cover B



Cover A

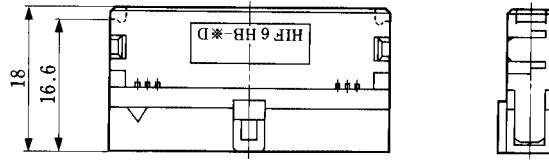


Unit: mm

Part Number	Number of Contacts	A	B	C	RoHS
HIF6H- 34D-1.27R	34	27.44	20.32	21.84	YES
HIF6H- 40D-1.27R	40	31.25	24.13	25.65	
HIF6H- 50D-1.27R	50	37.60	30.48	32.00	
HIF6H- 60D-1.27R	60	43.95	36.83	38.35	
HIF6H- 80D-1.27R	80	56.65	49.53	51.05	
HIF6H-100D-1.27R	100	69.35	62.23	63.75	

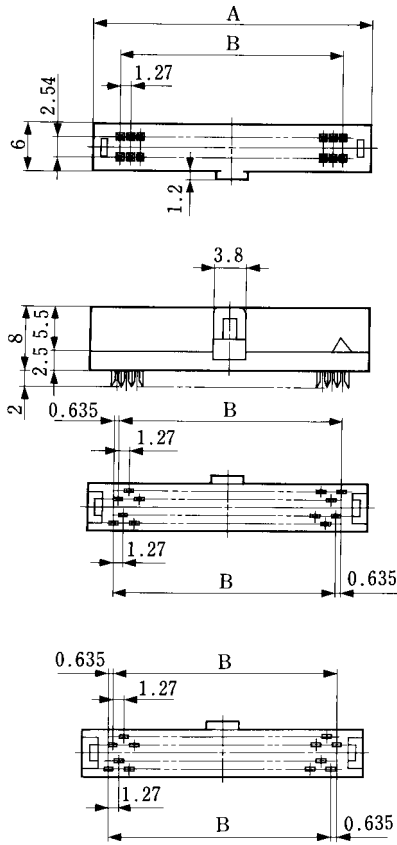
* If needed, please order HIF6H series connectors with cable attached.
 Designate the connection circuit and cable length on catalog pages B94 and B95.
 Please note that even when socket units are purchased, wiring will not be possible other than at Hirose Electric.

Socket for bus-line connection



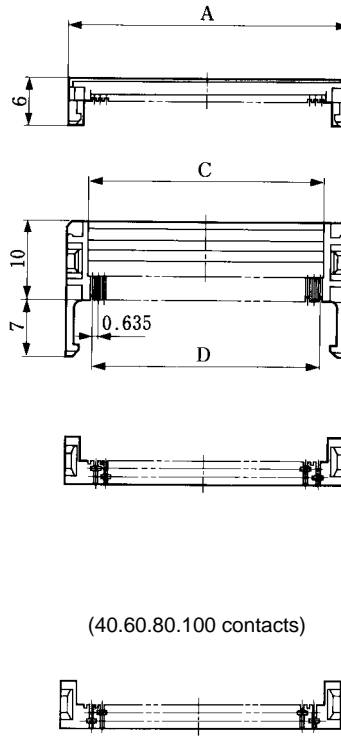
Combination Pattern

Body



(34.50 contacts)

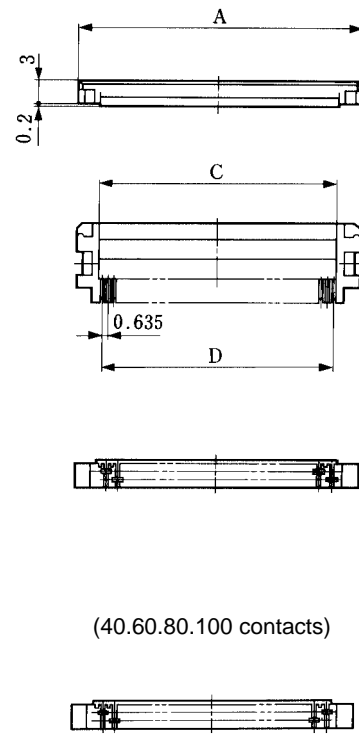
Cover B



(40.60.80.100 contacts)

(34.50 contacts)

Cover A



(40.60.80.100 contacts)

(34.50contacts)

Unit: mm

Part Number	Number of Contacts	A	B	C	D	RoHS
HIF6HB- 34D-1.27R	34	27.44	20.32	21.84	20.955	YES
HIF6HB- 40D-1.27R	40	31.25	24.13	25.65	24.765	
HIF6HB- 50D-1.27R	50	37.60	30.48	32.00	31.115	
HIF6HB- 60D-1.27R	60	43.95	36.83	38.35	37.465	
HIF6HB- 80D-1.27R	80	56.65	49.53	51.05	50.165	
HIF6HB-100D-1.27R	100	69.35	62.23	63.75	62.865	

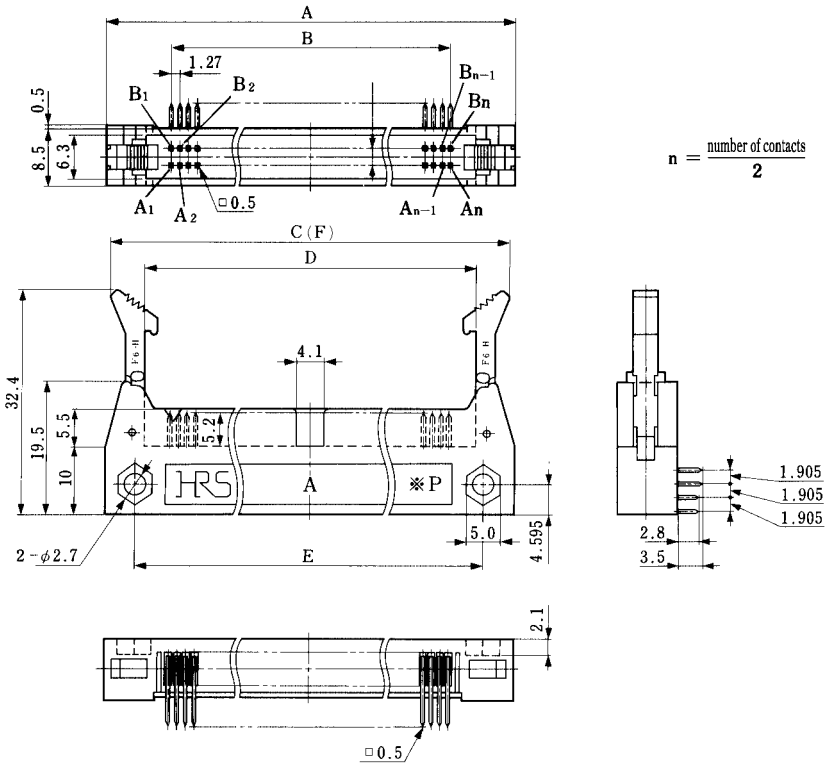
* Please order HIF6H series connectors with cable attached.

Designate the connection circuit and cable length on pages B94 and B95.

Please note that even when socket units are purchased, wiring will not be possible other than at Hirose Electric.

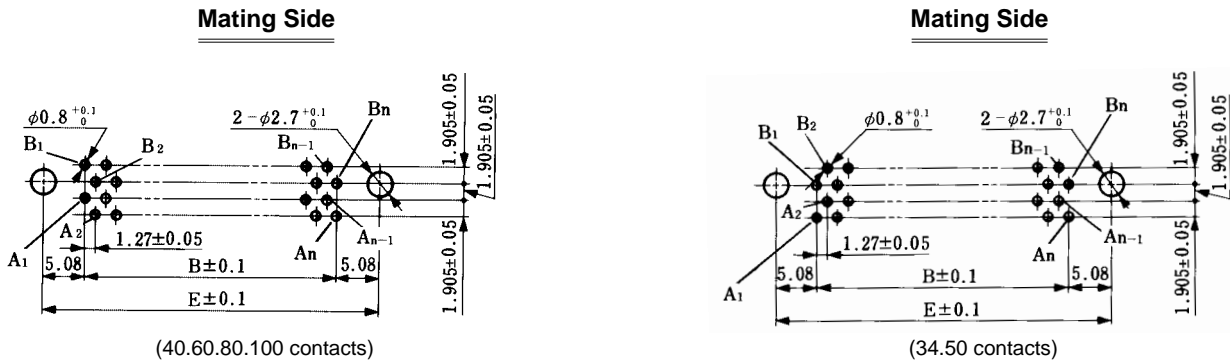
HIF6H Series 0.635mm Pitch ID Cable Connector

Right Angle Pin Header



PCB mounting pattern

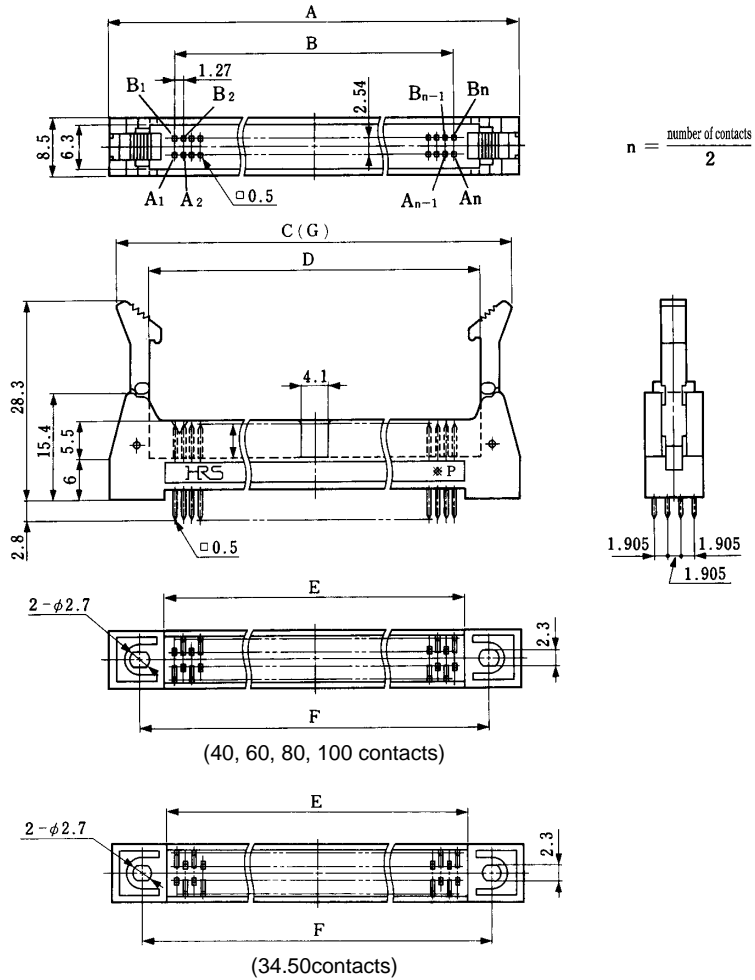
● indicates mark positions.



Unit: mm

Part Number	CL No.	Number of Contacts	A	B	C	D	E	F	RoHS
HIF6H- 34PA-1.27DS(71)	630-0166-4-71	34	39.84	20.32	38.24	27.64	30.48	59.64	YES
HIF6H- 40PA-1.27DS(71)	630-0161-0-71	40	43.65	24.13	42.05	31.45	34.29	63.45	
HIF6H- 50PA-1.27DS(71)	630-0162-3-71	50	50.00	30.48	48.00	37.80	40.64	69.80	
HIF6H- 60PA-1.27DS(71)	630-0163-6-71	60	56.35	36.83	54.75	44.15	46.99	76.15	
HIF6H- 80PA-1.27DS(71)	630-0164-9-71	80	69.05	49.53	67.45	56.85	59.69	88.85	
HIF6H-100PA-1.27DS(71)	630-0165-1-71	100	81.75	62.23	80.15	69.55	72.39	101.55	

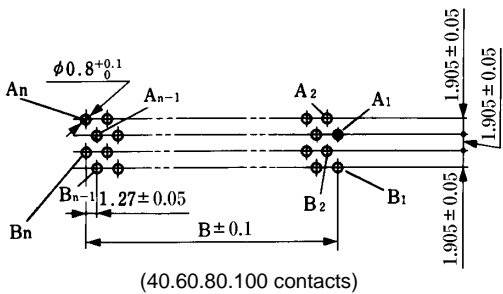
■ Straight Pin Header



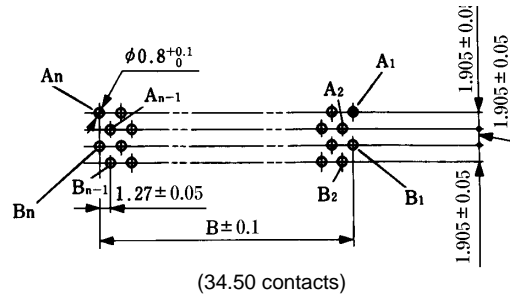
◆ PCB mounting pattern

● indicates mark positions.

Guide Key Side



Guide Key Side



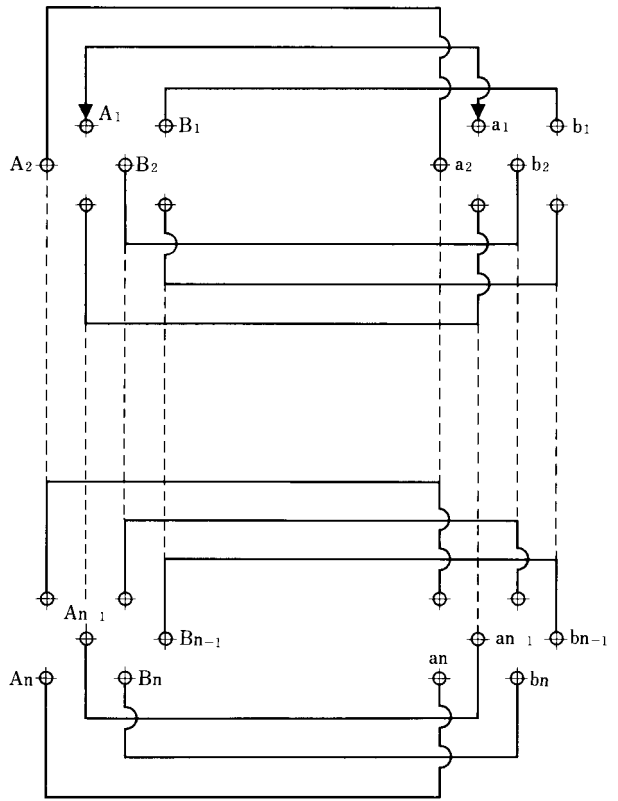
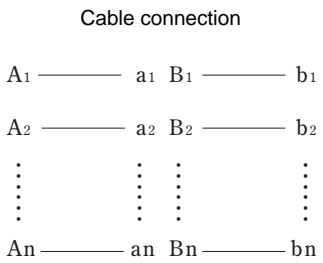
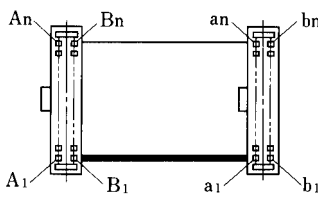
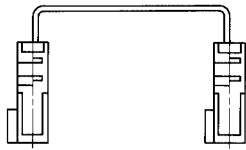
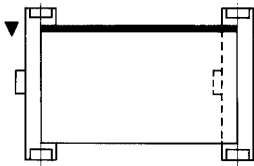
Unit: mm

Part Number	CL No.	Number of Contacts	A	B	C	D	E	F	G	RoHS
HIF6H- 34PA-1.27DSA(71)	630-0176-8-71	34	39.84	20.32	38.24	27.64	23.84	30.48	59.64	YES
HIF6H- 40PA-1.27DSA(71)	630-0171-4-71	40	43.65	24.13	42.05	31.45	27.65	34.29	63.45	
HIF6H- 50PA-1.27DSA(71)	630-0172-7-71	50	50.00	30.48	48.00	37.80	34.00	40.64	68.80	
HIF6H- 60PA-1.27DSA(71)	630-0173-0-71	60	56.35	36.83	54.75	44.15	40.35	46.99	76.15	
HIF6H- 80PA-1.27DSA(71)	630-0174-2-71	80	69.05	49.53	67.45	56.85	53.05	59.69	88.85	
HIF6H-100PA-1.27DSA(71)	630-0175-5-71	100	81.75	62.23	80.15	69.55	65.75	72.39	101.55	

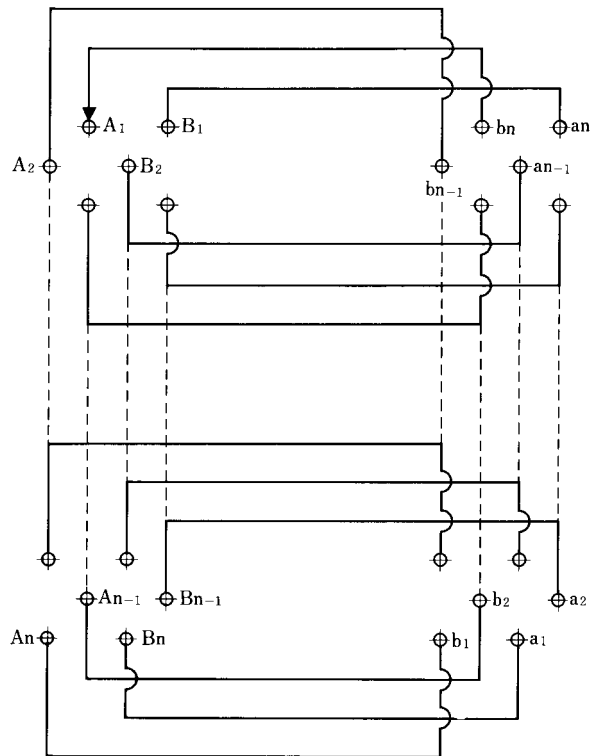
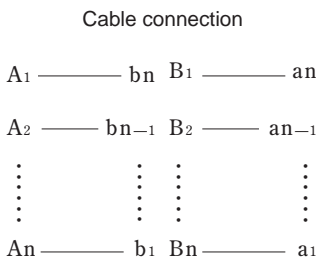
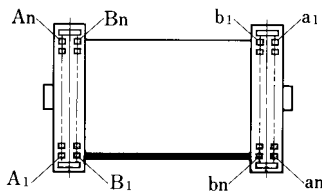
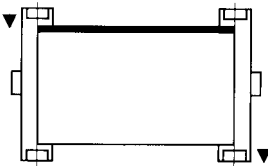
HIR 6H Series 0.835mm Pitch ID Cable Connector

◆ Connection Circuit Diagram 40, 60, 80 and 100 contacts

Type AA



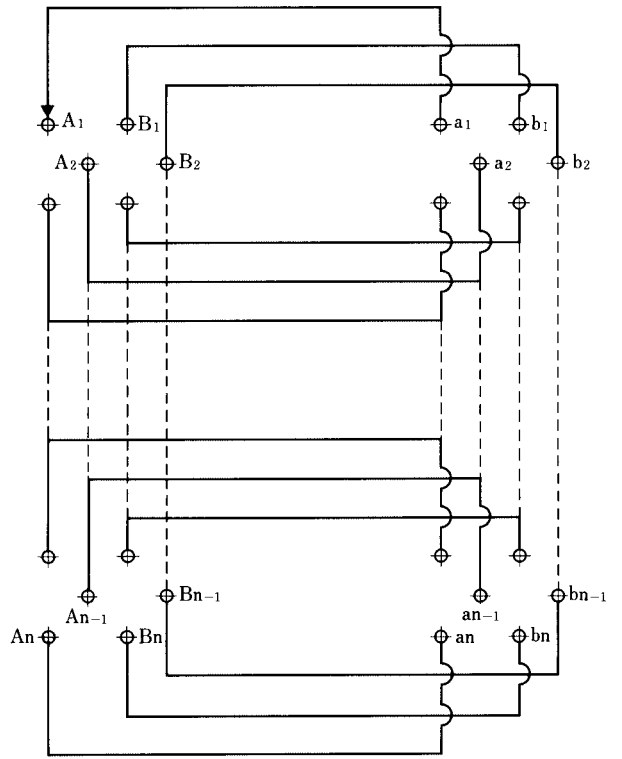
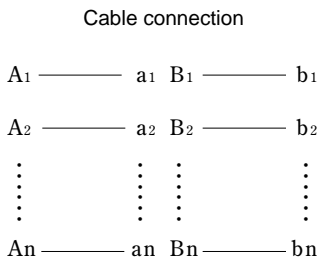
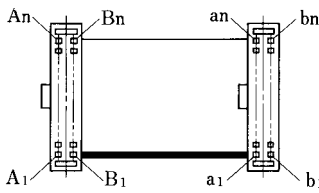
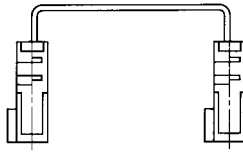
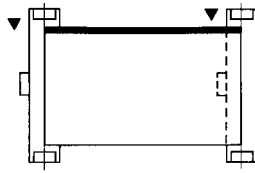
Type AB



Mar.1.2016 Copyright 2016 HIROSE ELECTRIC CO., LTD. All Rights Reserved.

Connection Circuit Diagram 34, 50 contacts

Type AA



Type AB

