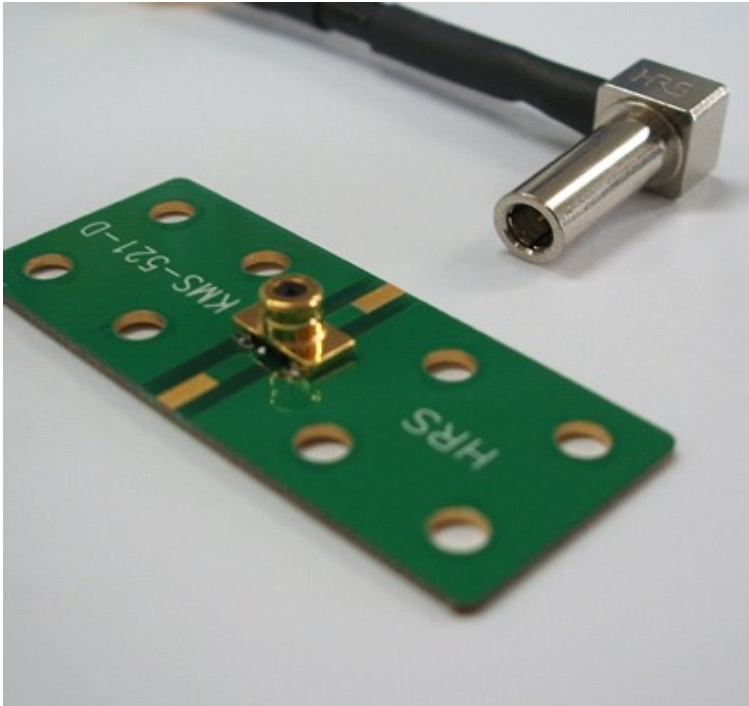


KMS-522-D



■ FEATURES

1. It is possible to automatically set it up sa high-frequency radio wave,
this is superior in the degree of strength and RF quality because of cutting a metal sl
2. it is available as a high-frequency radio(DC~2.5GHz)
3. **there are no scratch or damage as a resnl't of inserting it tilted into the plug**
4. it is simple to handle due to it's preventive function, which is set against
the circuit of the antenna, while setting up the electric parts
5. it is possible to manage pb-free under the envirnmental restrictions

■ APPLICATIONS

MOBILE PHONE , GPS

■ Specifications

Rating	CHARACTERISTIC IMPEDANCE	Operating temperature range	Storage temperature range
	50 Ω	- 30 °C ~ + 80 °C	-30 ~ +85 °C (NON CONDENSING)

Item	Specification	Condition
1. Insulation Resistance	1000MΩ Min	100V DC
2. Withstand voltage	NO INSULATION DESTRUCTION	100V AC for 1 minute
3. Contact Resistance	-CENTER MAXIMUM OF 75 mΩ -OUTER MAXIMUM OF 50 mΩ	DC 100 mA
4. V.S.W.R	MUST BE UNDER THE STD.VALUE AT FREQUENCY 2000MHz TO 2500MHz	MAXIMUM OF 1.25
5. INSERTION LOSS	MUST BE UNDER THE STD.VALUE AT FREQUENCY 2000MHz TO 2500MHz	MAXIMUM OF 0.5 dB
6. ISOLATION	MUST BE UNDER THE STD.VALUE AT FREQUENCY DC TO 2000MHz 2000MHz TO 2500MHz	MINIMUM OF 25 dB MINIMUM OF 20 dB

■ MATERIAL

	PART	MATERIAL	REMARK / FINISH
RF SWITCH	SHELL	PHOSPHOR BRONZE	NiP + AuP
	HOUSING	POLYAMID	-
	BLADE SPRING	BE-CU ALLOY STRIP	NiP + AuP
	CONTACT PLATE	PHOSPHOR BRONZE	NiP + AuP

※ This product is suitable to the condition of smokeless lead soldering to be satisfied under the conditions of a high temperature of 260°C degree

※ The product meets the criterion of managing harmful or the RoHS guide

■ Ordering Information

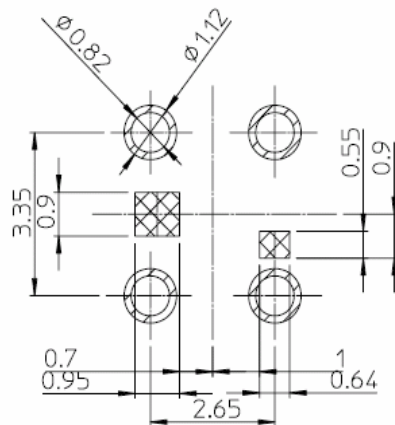
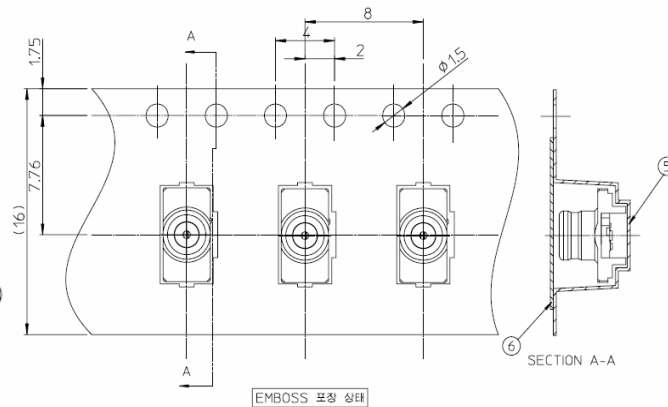
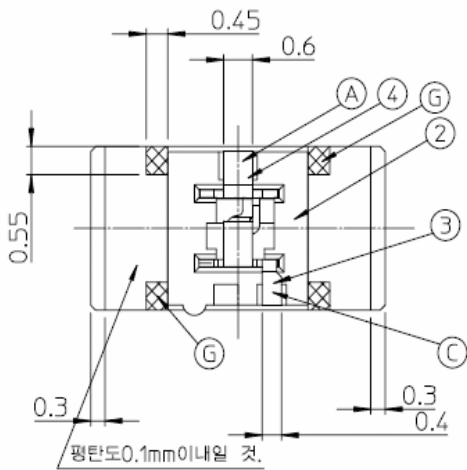
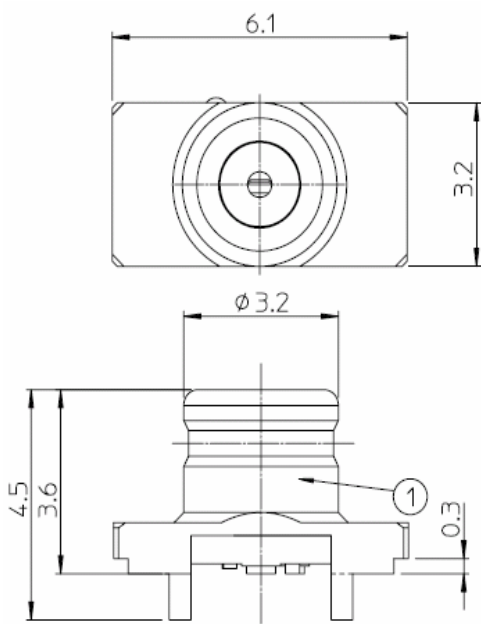
KMS - 522-D

①

②

①	Serial Name	KMS(KOREA MOBILE SWITCH)
②	Number of Contact	5SERIES

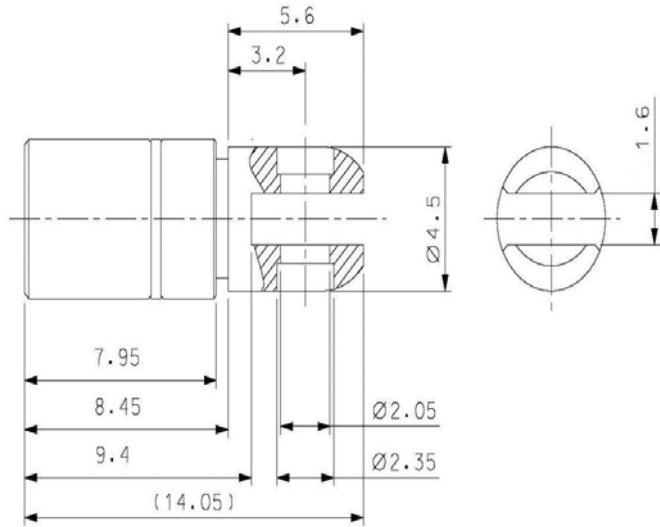
■ KMS-522-D



Recommend pcb patten

Product Name	HEIGHT	Package	Remark
KMS-522-D	3.6mm	Emboss Tape	1,000ea/Reel

■ KMS521P (ANT 用)

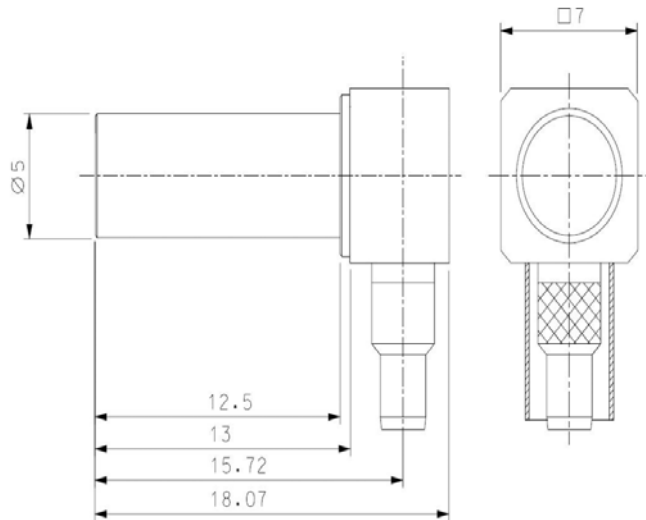


모델명	HRS No.	수명	RoHS
KMS-521-P	6324-0238-7	10,000회	OK

-KMS-521-D 또는 KMS-522-D와 수직으로 결합하여 사용한다.

-보증 수명은 10,000회이며 KMS-521-D 또는 KMS-522-D의 보증 수명은 아닙니다.

■ KMS521LP (KMS-522-D TEST CABLE)



모델명	HRS No.	수명	RoHS
KMS-521-LP	6324-***	10,000회	OK

-KMS-521-D 또는 KMS-522-D와 수직으로 결합하여 사용한다.

-보증 수명은 10,000회이며 KMS-521-D 또는 KMS-522-D의 보증 수명은 아닙니다.