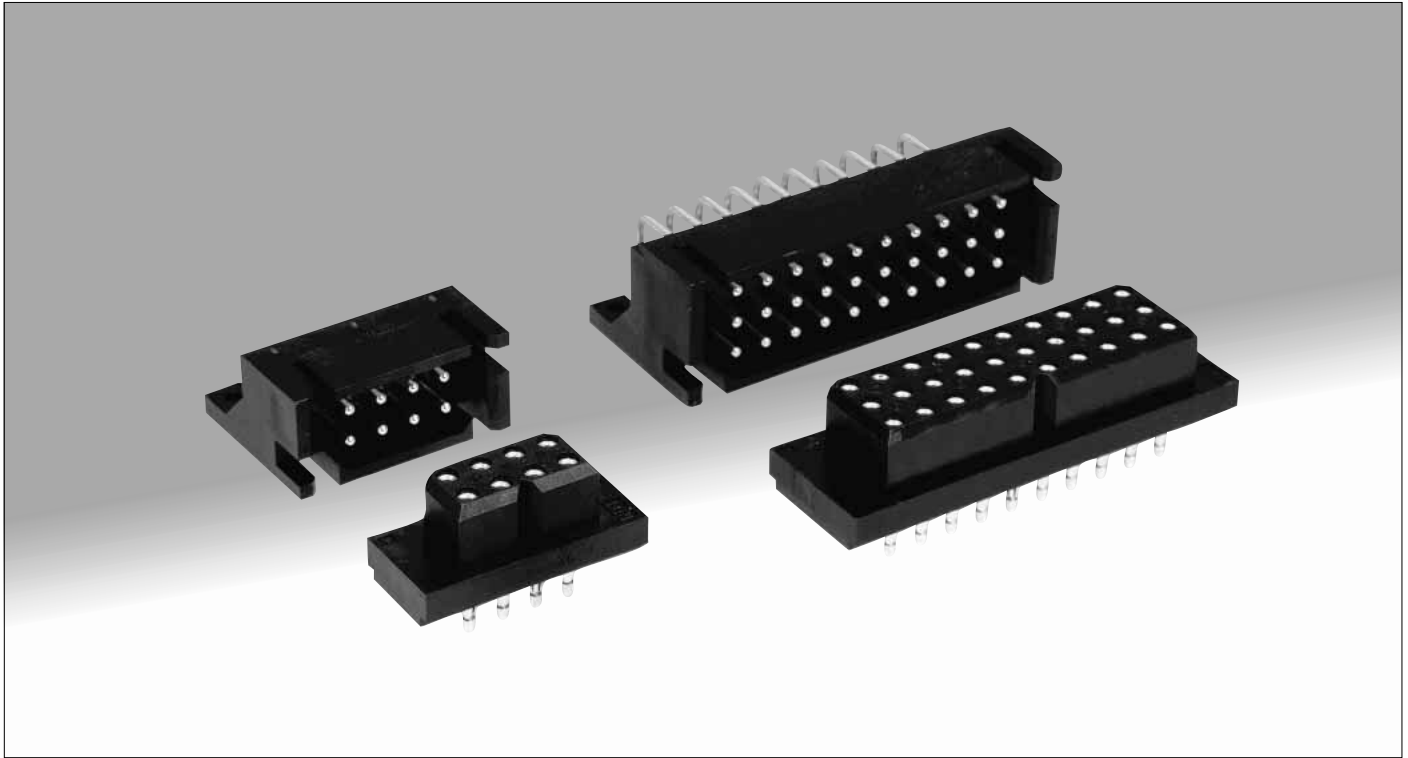


# High Current, High Density, Power Connectors

## MCN51 Series



### ■ Features

#### 1. High Current Applications

Board-to-board connectors are UL certified for 27 A per contact.

#### 2. Hirose's Unique Compliant Press-fit connection to the PCB

The compliant section is designed to provide reliable and damage free connection with the Plated-Through-hole, reducing stresses to the PCB.

#### 3. Multiple Contacts in a Variety of Configurations

offered with 8, 16 and 30 contacts in vertical, right angle, solder and compliant press-fit terminations.

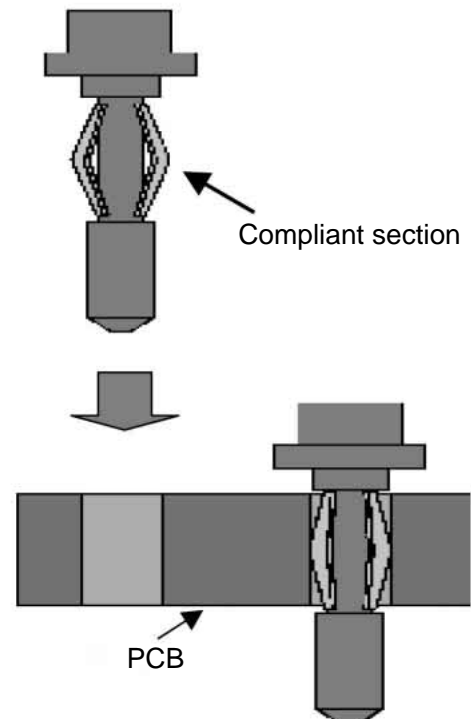
#### 4. UL Recognized, CSA Certified

UL File No. E52653

CSA File No. LR95109



### View of the Compliant Press-Fit section application



Min.PCB thickness = 3.2 mm

## Product Specifications

Ratings	Current rating 27 A max. (Note 1)	Operating temperature range -55°C to +125°C (Note 2)	Storage temperature range -10°C to +60°C (Note 3)
	Voltage rating 600 V AC	Operating humidity level Relative humidity 95% max. (provided there is no condensation)	Storage humidity range 40% to +70%

Item	Specification	Conditions
1. Insulation resistance	5000M ohms min.	500 V DC
2. Withstanding voltage	No flashover or insulation breakdown.	2000V AC /one minute
3. Contact resistance	3m ohms max. (initial value)	25 A DC
4. Vibration	No electrical discontinuity of 1 ms or more No damage, cracks, or parts dislocation.	Frequency of 10 to 2,000 Hz, overall amplitude of 1.5 mm Or, acceleration of 196 m/s <sup>2</sup> for 2 hours in each of 3 directions.
5. Heat resistance	Contact resistance: 7m ohms max.	Expose to a temperature of +125°C for 96 hours.
6. Cold resistance	Contact resistance: 7m ohms max.	Expose to a temperature of -55°C for 96 hours.
7. Temperature cycle	Contact resistance: 7m ohms max. Insulation resistance: 5000M ohms min. No damage, cracks, or parts dislocation.	(-55°C: 30 minutes → 15 to 30°C: 5 minutes max. → 125°C: 30 minutes → 15 to 30°C: 5 minutes max.) 20 cycles
8. Humidity resistance	Contact resistance: 7m ohms max. Insulation resistance: 5000 M ohms min.	56 days at temperature of 40°C±2°C and humidity of 90% to 95%
9. High temperature exposure	Contact resistance: 7m ohms max.	1500 hours at temperature of 85°C
10. Operating life	Contact resistance: 7m ohms max.	1000 cycles
11. Sulfur dioxide gas	Contact resistance: 7m ohms max.	Leave for 96 hours in an atmosphere of 25 ppm concentration sulfur dioxide gas.

Note1: Refer to "Current-Temperature De-rating Curve" (IEC 512-3, Test 5b) and "Temperature Rise Curve" (IEC 512-3 Test 5a) on Page 3.

Note2: The term "storage" refers to products stored for long period of time prior to mounting and use. Operating Temperature Range and Humidity range covers non-conducting condition of installed connectors in storage, shipment or during transportation.

## Materials

Product	Part	Material	Finish	Remarks
Pin headers	Insulator	PBT	Black	UL94V-0
	Contacts	Copper alloy	Gold plating	—
Receptacles	Insulator	PBT	Black	UL94V-0
	Contacts	Copper alloy	Gold plating	—

## Ordering Information

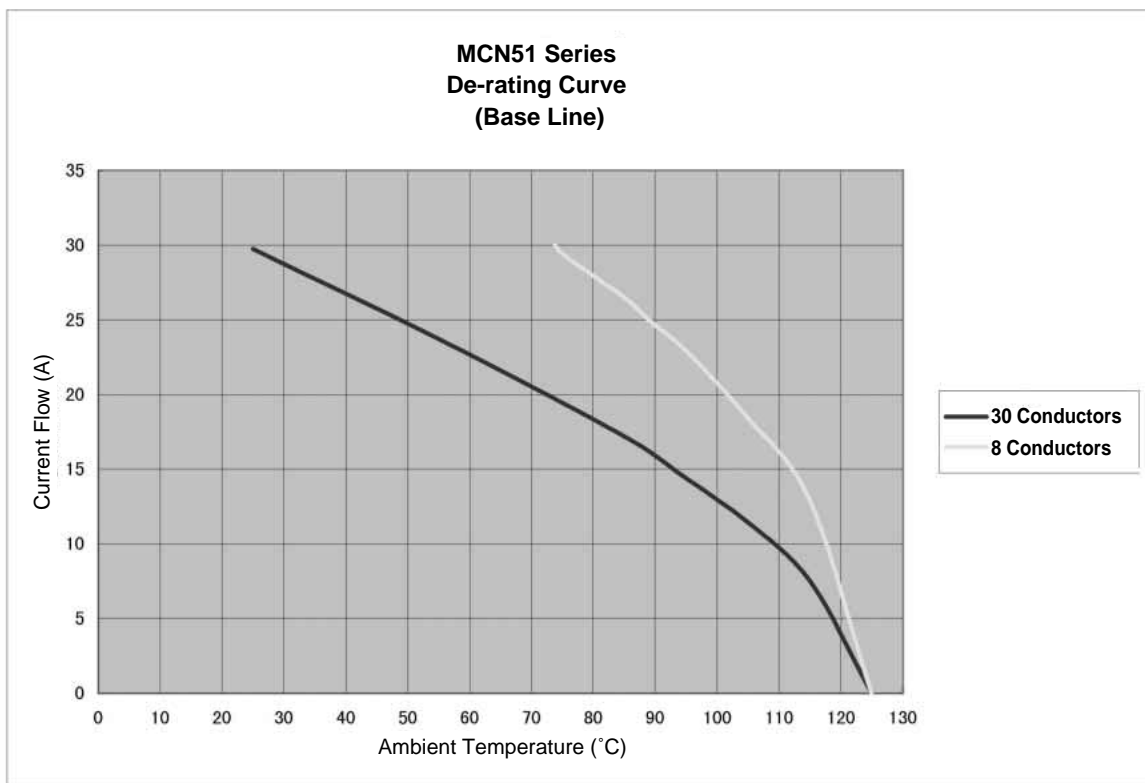
**MCN 51 - 30 P 3 - DS**  

①
②
③
④
⑤

① Series name : MCN51	④ Rows 2: 2 rows 3: 3 rows
② Number of contacts : 8, 30	
③ Connector type P : Pin header S : Socket Receptacle	⑤ Contact type PFA : Press-fit (through-hole diameter 2.03 mm) DS : Right-angle through-hole type

## ■ Current - Temperature De-rating Curve

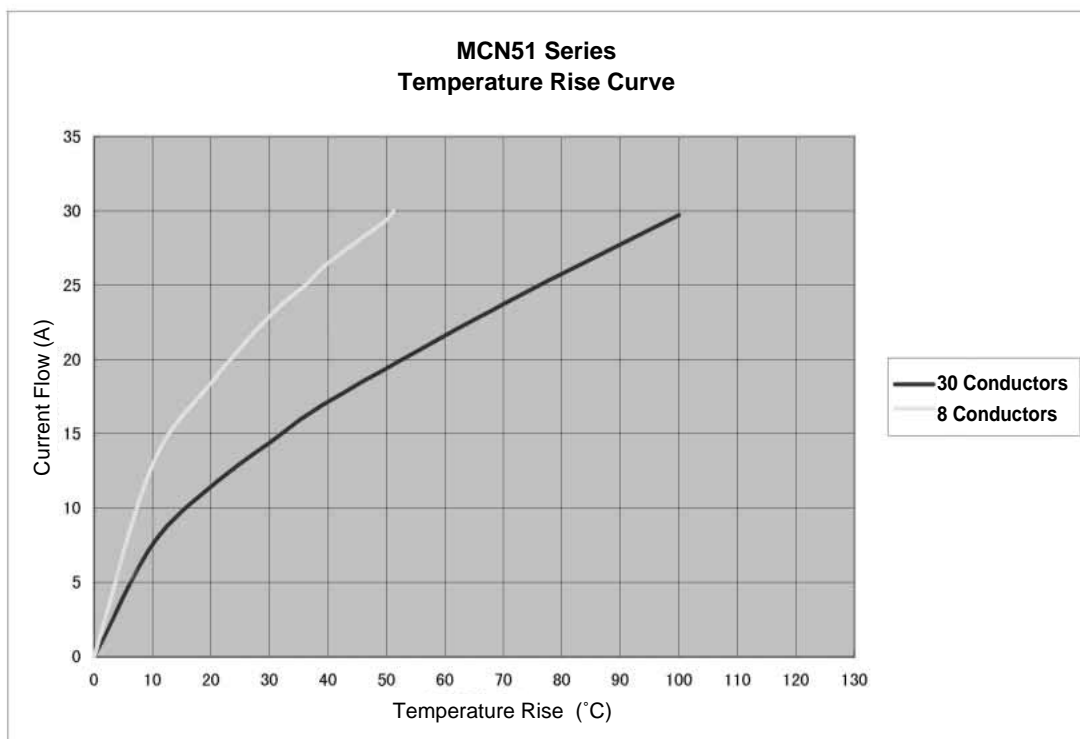
●(IEC 512-3, Test 5b)



Measurements were made with 12 AWG wire connected in series to all contacts.

## ■ Temperature Rise Curve

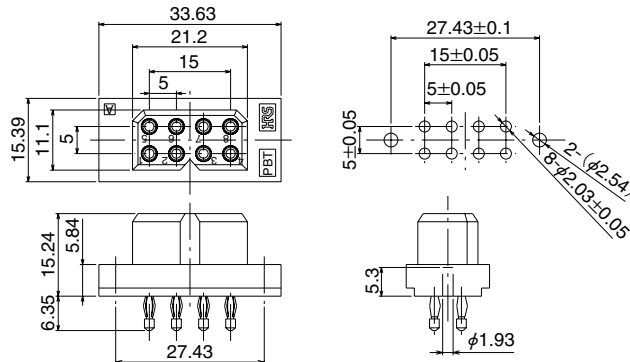
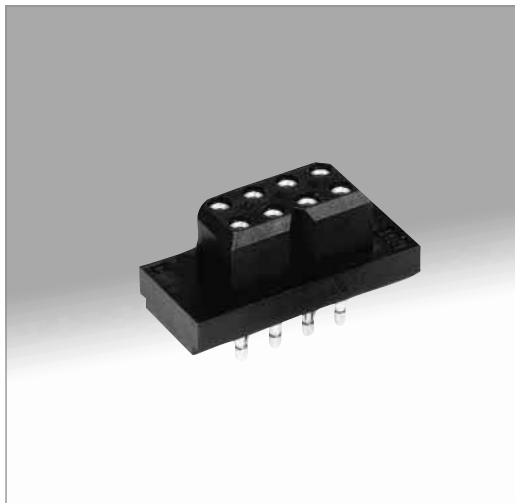
●(IEC 512-3, Test 5a)



Measurements were made with 12 AWG wire connected in series to all contacts.

## ■ Receptacle: Straight, Press-Fit

### ● 2-row type

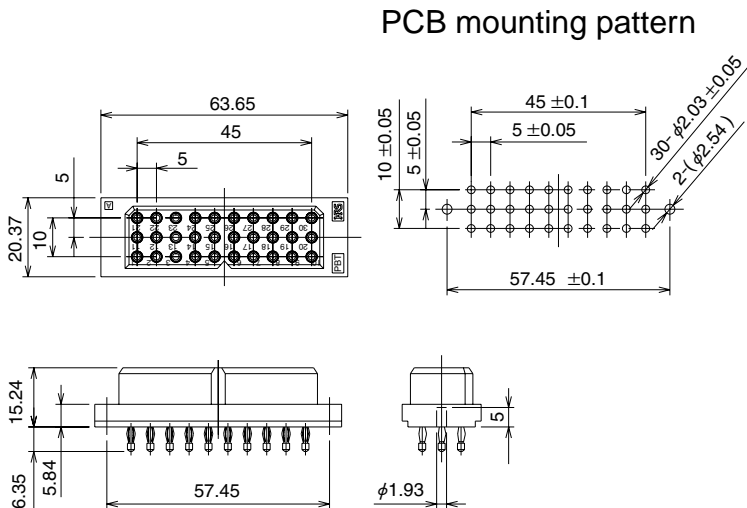
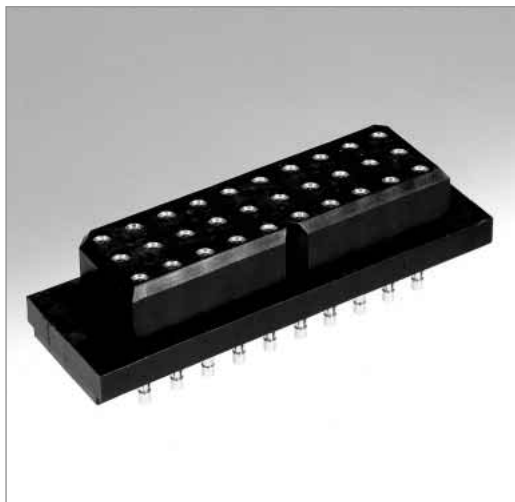


Copper plating thickness :  $70 \pm 10 \mu\text{m}$   
 Solder plating thickness :  $5$  to  $10 \mu\text{m}$   
 Board thickness :  $3.2 \text{ mm min.}$

Fasten to the board being sure to use (American type) #2 tapping screws.  
 Recommended Through-Hole Diameter  
 Finished hole :  $2.03 \text{ dia.} \pm 0.05 \text{ mm}$   
 Drill diameter :  $2.185 \text{ dia.} \pm 0.025 \text{ mm}$

Part Number	CL No.
MCN51-8S2-PFA	589-0200-6

### ● 3-row type



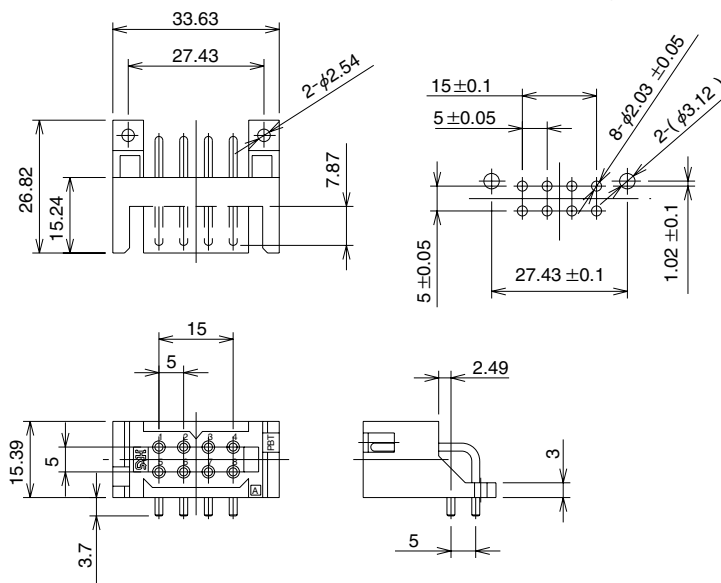
Copper plating thickness :  $70 \pm 10 \mu\text{m}$   
 Solder plating thickness :  $5$  to  $10 \mu\text{m}$   
 Board thickness :  $3.2 \text{ mm min.}$

Fasten to the board being sure to use (American type) #2 tapping screws.  
 Recommended Through-Hole Diameter  
 Finished hole :  $2.03 \text{ dia.} \pm 0.05 \text{ mm}$   
 Drill diameter :  $2.185 \text{ dia.} \pm 0.025 \text{ mm}$

Part Number	CL No.
MCN51-30S3-PFA	589-0196-0

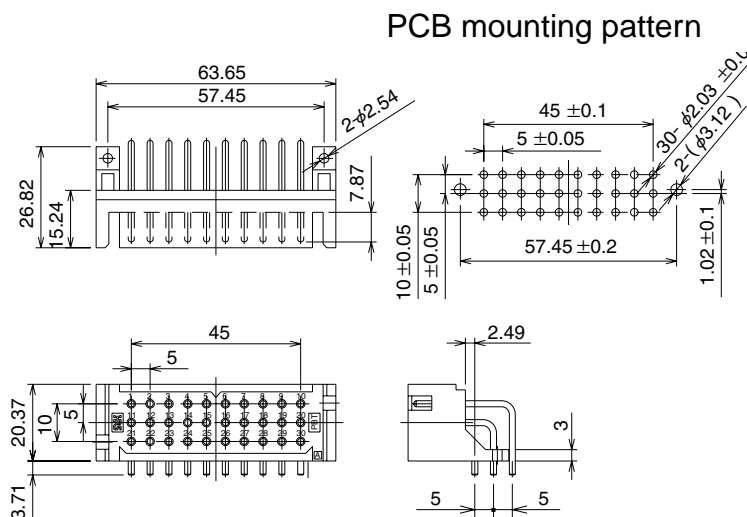
## ■ Pin Header: Right-Angle Through-hole

### ● 2-row type



Part Number	CL No.
MCN51-8P2-DS	589-0202-1

### ● 3-row type



Part Number	CL No.
MCN51-30P3-DS	589-0195-8